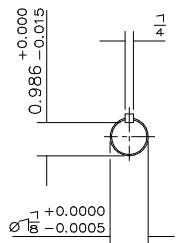
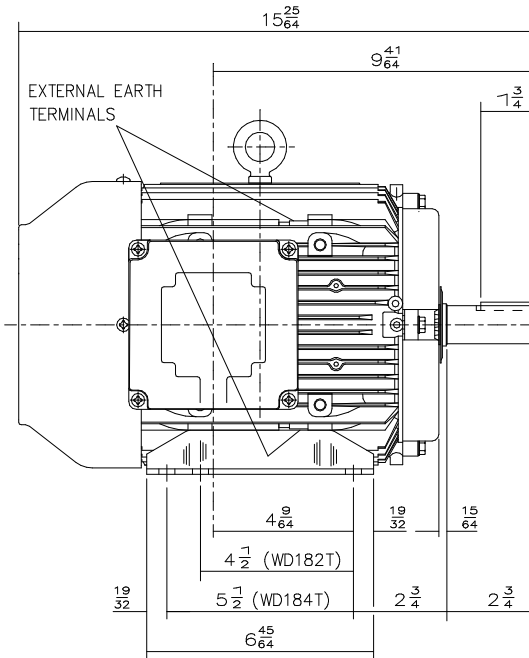
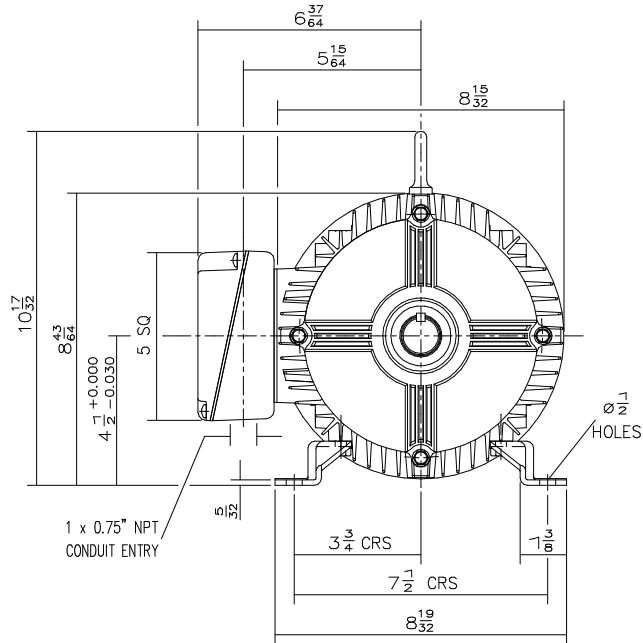


DRG. No. W32GF000/2  
 DRG. REF.



VIEW ON END  
OF SHAFT

TERMINAL BOX POSITION:- CAN BE ARRANGED AT EITHER 9, 12 OR 3 O'CLOCK BY MOVIN  
 STANDARD TERMINAL BOX POSITION IS 9 O'CLOCK AS SHOWN.  
 CONDUIT ENTRIES:- TERMINAL BOX CAN BE ROTATED AT 90 INTERVALS.  
 (CONDUIT ENTRY POSITION SHOWN FOR ILLUSTRATION ONLY).

CUSTOMER		
ORDER No.		
PART No.		
OUR ORDER No.		
FRAME SIZE		
KW.	RPM.	
Hz	PHASE	
VOLTS	POLES	
BRGS.	DE.	NDE.
MOTOR NETT WT.	Kg.	
SPECIAL REMARKS		

ALL DIMENSIONS IN INCHES



**BROOK  
CROMPTON**

Huddersfield, HD1 3LJ  
ENGLAND

SHEET TITLE  
 SIZE A3 OUTLINE DIMENSION DRAWING 'W' ALUMINIUM TOTALLY ENCLOSED FAN COOLED  
 182/4T FRAME FOOT MOUNTED MOTOR.

	NAME	DATE
DRAWN	MI	5-10-95
CHECKED	JWD	5-10-95
SCALE	1: 3.5	

DRG. No.	W32GF000/2		
DRG. REF.			
REVISION:	DH	DATE	07-03-02